

COLDMATIC

FCG85GV



Main features FCG85GV is a display freezer.

- glass surface for max. product visibility - side, header & door branding as options

Volumes

Gross volume. 84l

Net volume: 67l

Transport

Gross weight: 44 kg

Package size h,w,d: 870x555x635 mm

Quantity / 40' container 168 pcs

Quantity / 13,6 m truck 192 pcs

Temperatures

Temperature range: -22 to -10°C

Operating conditions:

minimum operating temperature + 16°C

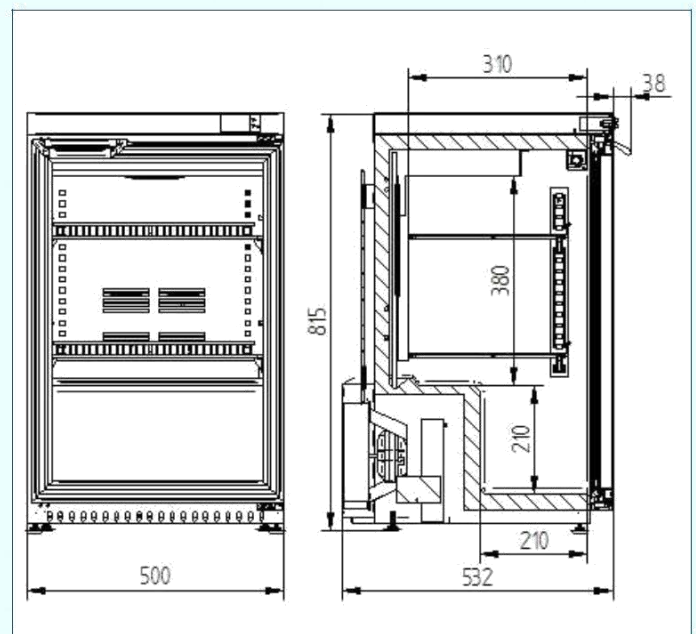
max. operating conditions + 30 C / 55%RH

Options:

Side and door branding Header branding
LED light
Different external colors

Technical details

Net weight:	41 kg
Gross volume:	84 l
External dimensions h,w,d:	815x500x532 mm
Temperature range:	-22 to - 10°C
Power input:	200 W
Defrosting:	Automatic 100W
Header light:	1 x 8 W horizontal
Inner light:	1 x 8 W vertical
Compressor:	ACC GVY75AA
Filling quantity:	75g (R134a)
Door	Black plastic frame
Evaporator:	Finned coil evaporator
Condenser:	Wire condenser
Temperature control:	Electronic thermostat



Coldmatic-General Kft.

Hungary 2890 Tata Faller Jenő utca 3-6.

Tel.: +36 34 586-162

Fax: +36 34 586-163

www.coldmatic.hu